

Optional Attachment



侧卸
Side-dump Bucket



加长臂
Extension Arm



石油管夹具
Petroleum-pipe Clamp



枝桠材夹具
Branch Clamp



木爪
Log Clamp



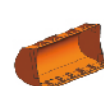
小容量夹具
Small capacity clamp



大容量夹具
Large capacity clamp



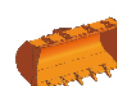
岩石斗 (2.2m³)
Rock Bucket



煤斗 (3.8m³)
Coal Bucket



矿砂斗 (2.2m³)
Ore Bucket



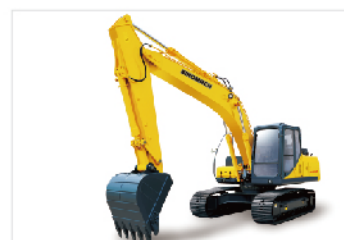
加大斗 (4.5m³)
Large Capacity Bucket



Wheel Loader



Motor Grader



Excavator



Backhoe Loader



Vibratory Roller



Pneumatic Roller



Bulldozer



Truck Mounted Crane



Skid Steer



- Equipped with ShangChai engine or weichai engine
- KD switch allows better efficiency & easy operation
- Famous MERITOR dry type axle
- Reliable ZF transmission case and torque converter
- Bucket automatic leveling ability & boom position limitation
- Combined seal cylinder obtains high seal performance and more reliability



SINOMACH-HI INTERNATIONAL EQUIPMENT CO.,LTD.
Add:No.898, West Huanghe Road, Changzhou, Jiangsu,
P.R.of China
P.C:213136
Tel:86-519-86781288 86752400
Fax:86-519-86781387
Http://www.sinomach-hi.com
E-mail:sales@changlin.com.cn service@changlin.com.cn

DEALER:



国机重工集团国际装备有限公司
SINOMACH-HI INTERNATIONAL EQUIPMENT CO.,LTD.



发动机(Engine)

型号.....上柴SC11CB240.1G2B1
 Model.....SHANGCHAI SC11CB240.1G2B1
 型式.....直喷、涡轮增压、水冷
 Type.....Direct injection, turbocharged, water cooling
 额定功率Rated Power.....175kW
 额定转速Rated Speed.....2200rpm



变速系统 (Transmission System)

变矩器型式.....单级单相三元件
 Torque converter type...Single stage, single phase and 3-elements
 冷却方式.....油冷压力循环式
 Cooling mode.....Oil cooling pressure circulating
 ZF 变速箱型式.....定轴式动力换挡
 ZF Transmission type.....fixed shaft power shift
 档位 (前进/后退).....前四后三
 Shifts(Forward/Backward).....F4/R3
 行驶速度(km/h) Traveling speed I II III IV
 前进 Forward 6.65 13 23.54 35.37
 后退 Backward 7.01 13.66 24.6



驱动桥 (Axles)

最大牵引力 Max. drawing force.....180kN
 主传动速比 Gear ratio of main drive.....4.875
 轮边减速比 Gear ratio of hub reduction.....4.94
 总速比 Total ratios.....24.0825



转向系统 (Steering System)

型式.....车架铰接, 全液压转向
 Type.....Middle articulated frame. Full-hydraulic Steering
 转向角 Steering angle.....±38°
 最小转弯半径 (至前轮胎外沿).....6240mm
 Min. turning radius at the outside of front wheel.....6240mm
 系统压力 System pressure.....16MPa.
 转向泵型号 Model of steering pump...SGP2100-2080-02020R01
 转向器型号 Model of redirector.....BZZ3-E100B
 转向油缸数-缸径×行程.....2-Φ100×425mm.
 No.of cylinders-Bore×Stroke.....2-Φ100×425mm.



轮胎 (Tyre)

轮胎规格 Tyre size.....23.5-25-20PR L-3



工作装置 (Working Equipment)

单摇臂高支点优化设计的工作装置, 自动放平作为标配。
 Single swing arm high fulcrum working equipment, Automatic leveling device as standard configuration.
 最大掘起力 Max.breakout force.....190kN
 卸载高度 Dumping clearance.....3325mm
 卸载距离 Dumping reach.....1433mm
 倾翻载荷 (全转向) Tipping load full turn.....13000kg



工作液压系统 (Working Hydraulic System)

泵型号 Model of oil pump.....SGP2100-2080-02020R01
 系统压力 System pressure.....20MPa
 发动机额定转速时的流量.....220L/min
 Flow rate at engine rated speed.....220L/min
 油缸数量-缸径×行程 No.of cylinders-Bore×Stroke
 举升油缸 Lifting cylinder.....2-Φ160×874mm.
 翻斗油缸 Tilting cylinder.....1-Φ210×575mm.
 提升时间 Lifting time.....5.8s
 下降时间 Lowering time.....3.2s
 卸载时间 Dumping time.....1.5s



制动系统 (Brake System)

行车制动.....钳盘式制动器, 双管路、气顶液四轮制动
 Service Brake.....Caplier disc brake, Dual pipelines, Air over oil activate 4 wheel brake
 停车制动.....手动气控鼓式制动器, 可作为紧急制动。
 Parking brake.....Manual air-controlled actuate drum brake act as emergency brake.



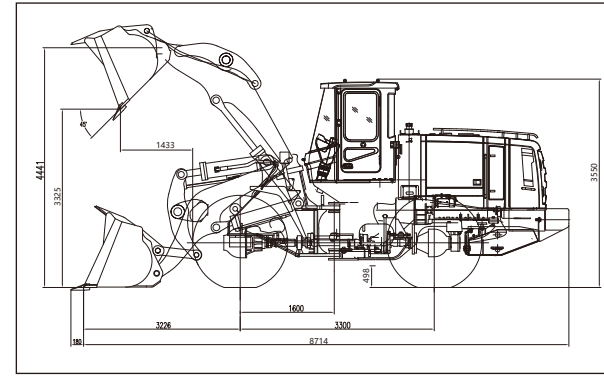
油量 (Refill Capacity)

燃油箱 Fuel tank.....350L
 机油 Engine lubricating oil.....24L
 双变系统 T/C and T/M.....45L
 液压油箱 Hydraulic tank.....245L
 前后桥 F/R axles.....30L+24L
 制动系统 Brake System.....3L



驾驶室 (Cabin)

Vibration-absorbed humanistic cabin with adjustable steering wheel and seat and streamline dashboard provide low noise, comfortable operation and wide eyeshot.



Best Power Performance

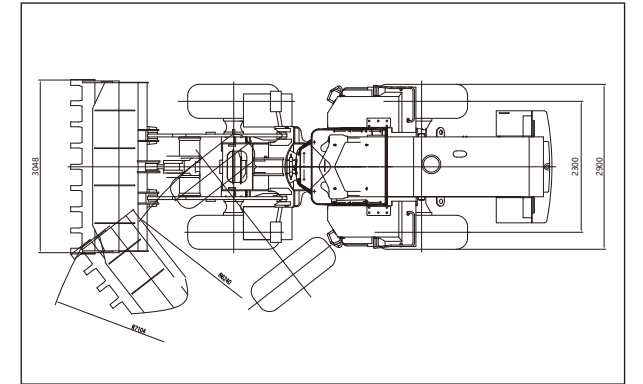


- Performance-proved shangchai/weichai diesel engine conforming to environmental requirements offers sufficient power to suit various tough tasks.
- Shifting control handle adopts electronic induction control prolong service lifetime.
- Adopted independent radiation system that made the thermal balance system of the whole machine more reasonable and reliable.
- Meritor axles that features high reliability.

Luxury Cabin



- Electronic monitor panel with digital show and adjustable steering wheel make operator easy and comfortable.
- Half-automatic control of KD switch owns perfect control performance.
- Cabin featured luxury interior decoration and beautiful appearance and good eyeshot.

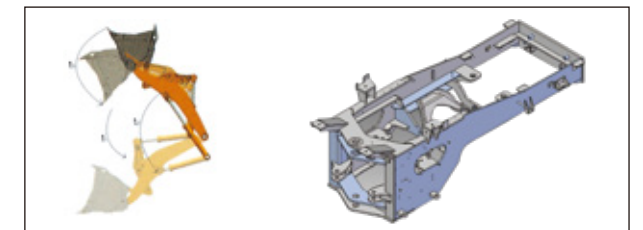


High Efficiency Hydraulic System



- Linhai single handle P.P.C features comfortable and easy and accurate operation, fast reaction.
- Combined flow of two pumps saves energy and increases efficiency.
- Hydraulic tank with vacuum device ensures easy maintenance and fixing of hydraulic system.

Heavy-duty Working Equipment



- The optimized strengthened front/rear frame was more solid and durable, single-plate structure of rear frame reduce distortion and irregular welds and greatly promote reliability.
- The working equipment with optimized design of single swing arm has big break force and high working efficiency.



Wheel Loader Motor Grader Excavator Backhoe Loader Vibratory Roller Bulldozer

Construction Machinery